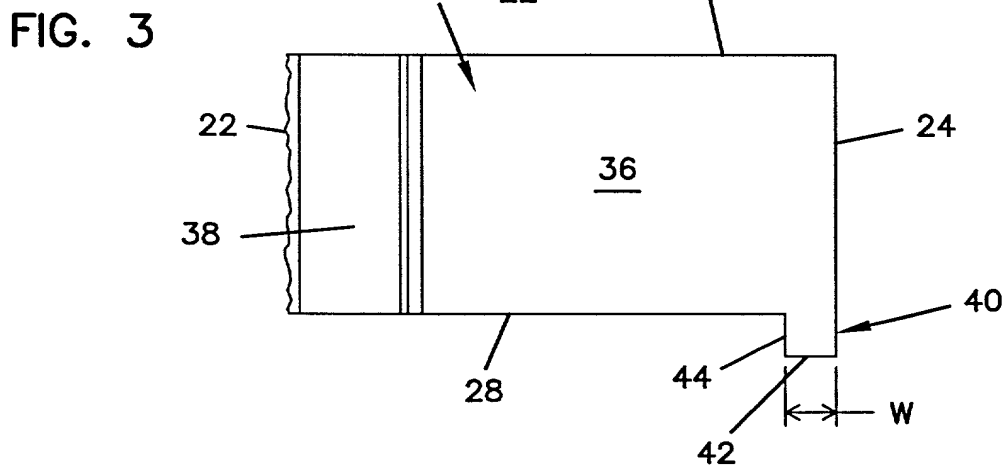
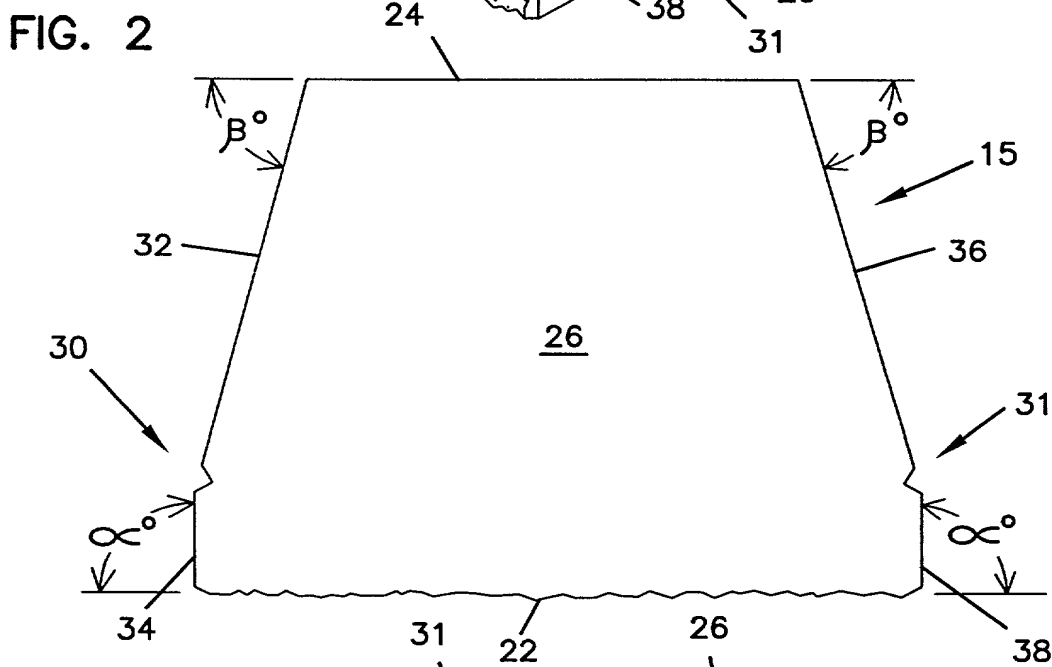
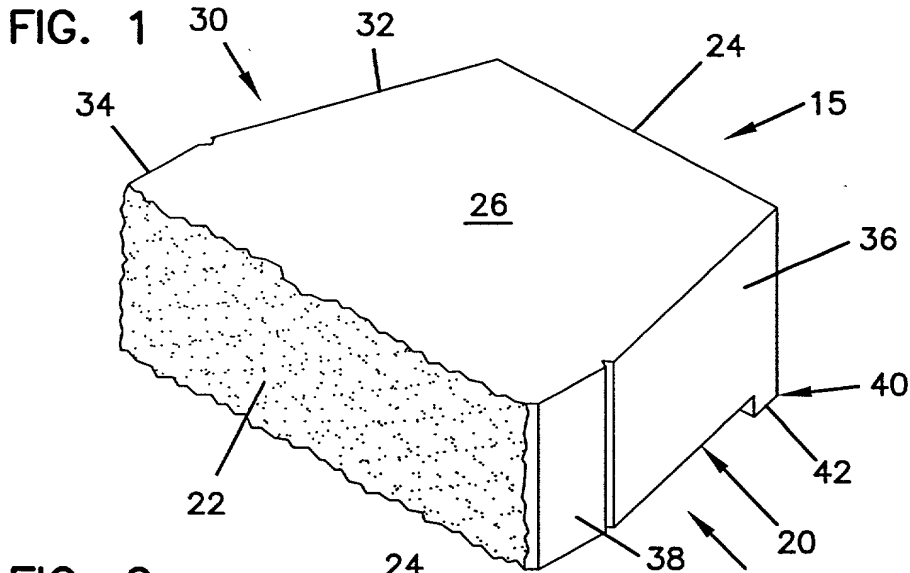


FOR FILED 09/29/05



FOR F&O" OF SHEET 2

FIG. 4

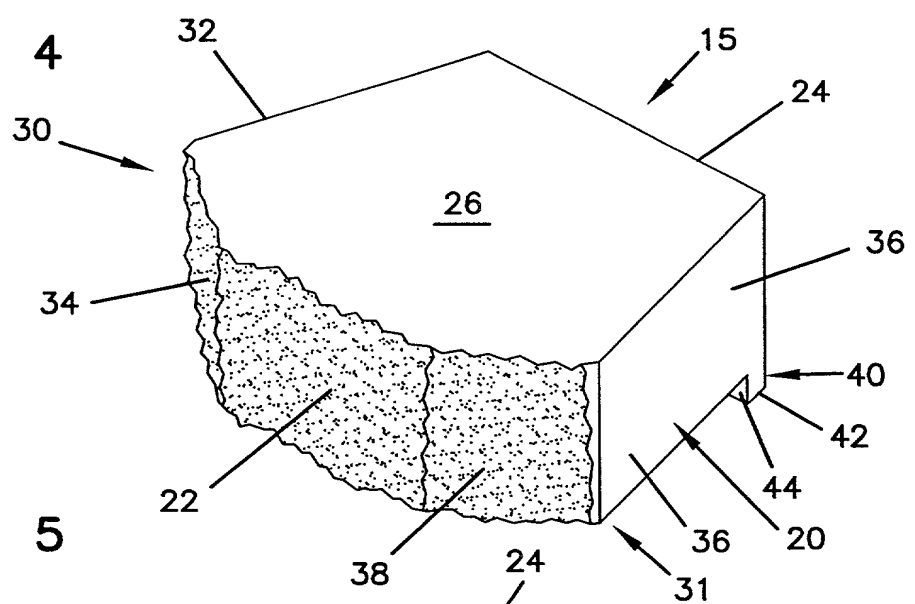


FIG. 5

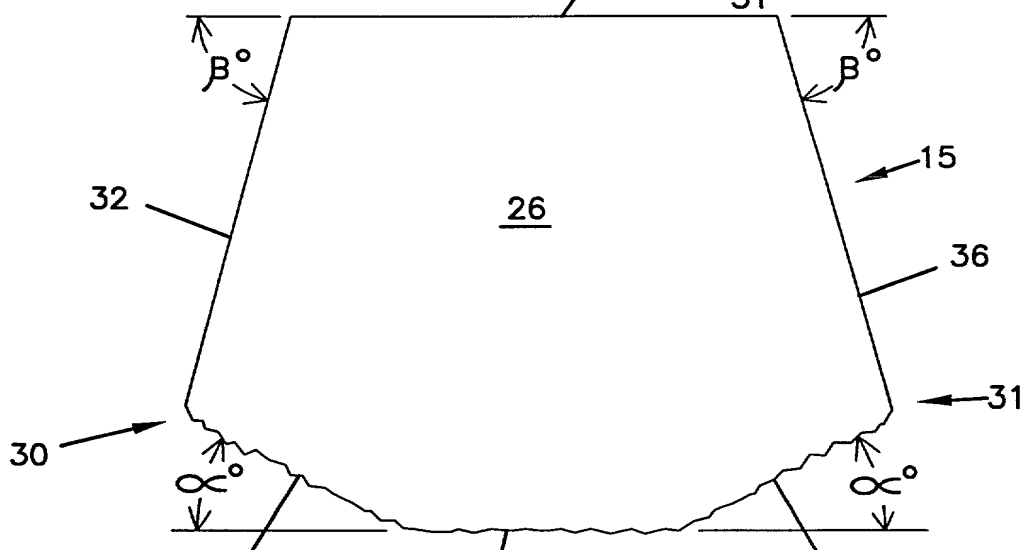


FIG. 6

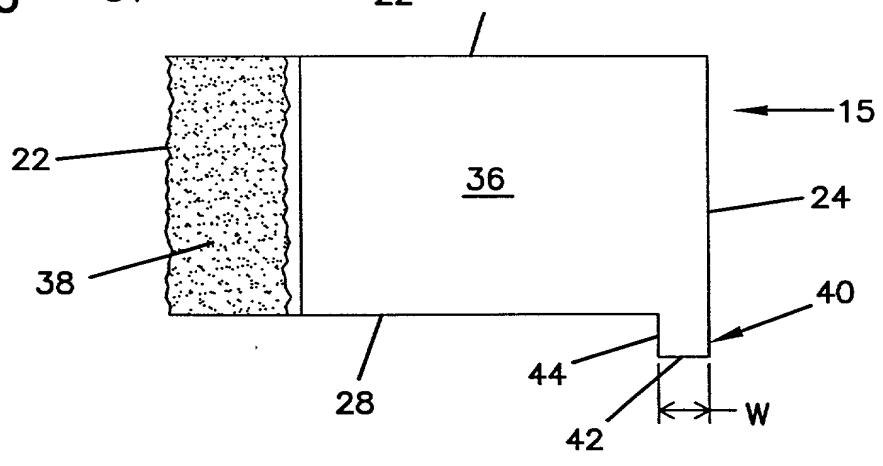


FIG. 7

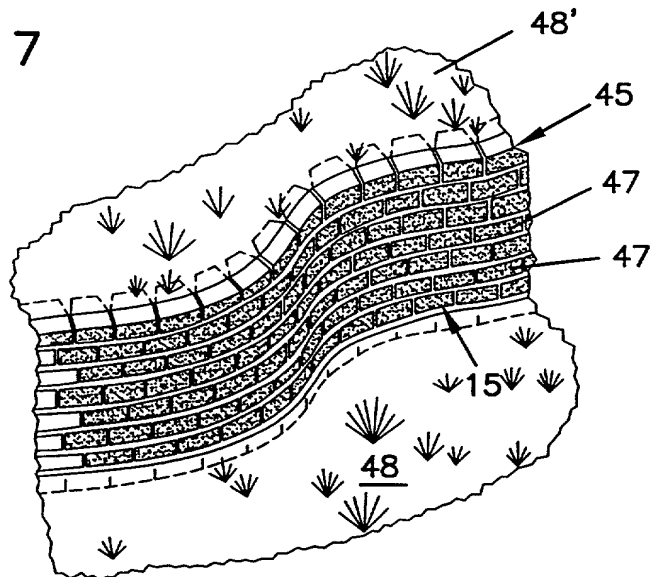
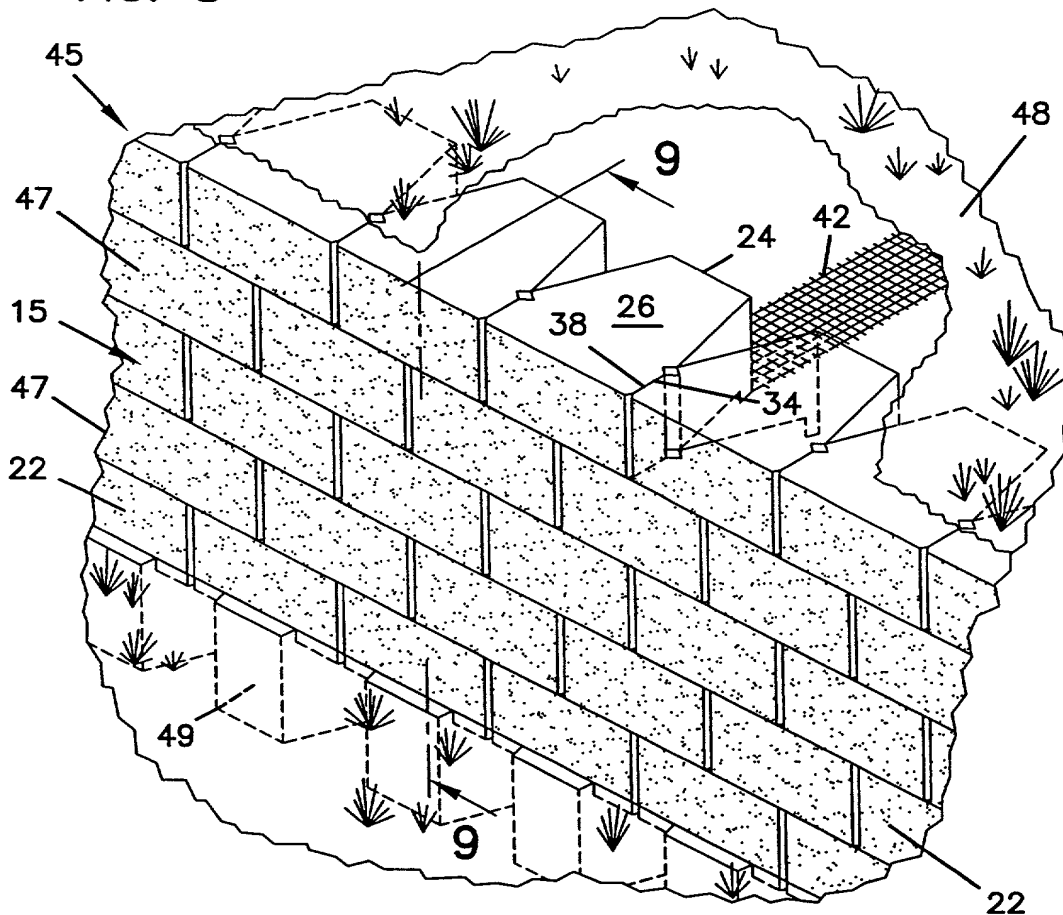


FIG. 8



FOR FILING

FOOTPRINT OF SHEET

FIG. 9

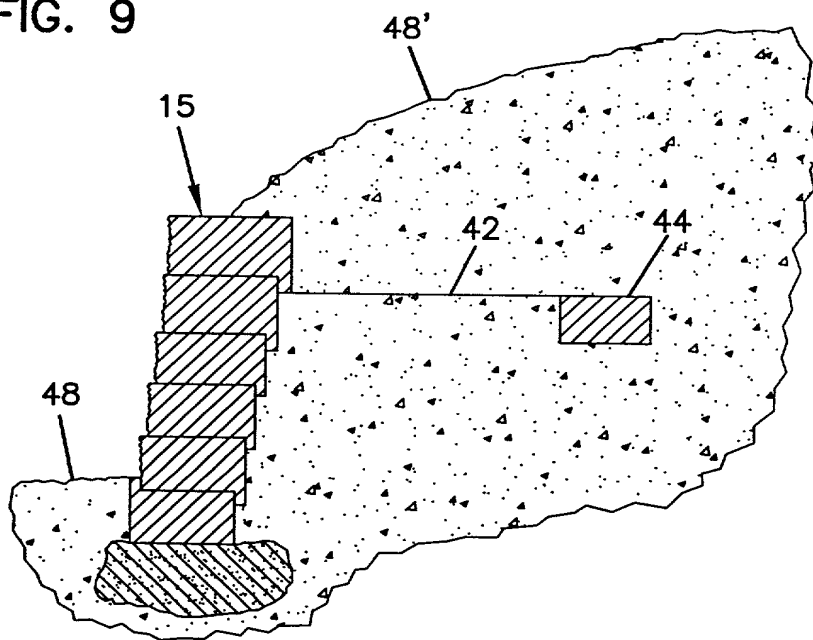


FIG. 10

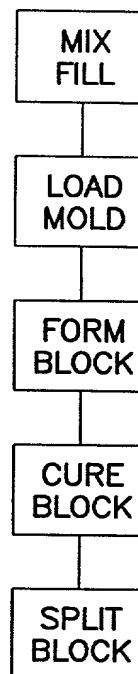


FIG. 11

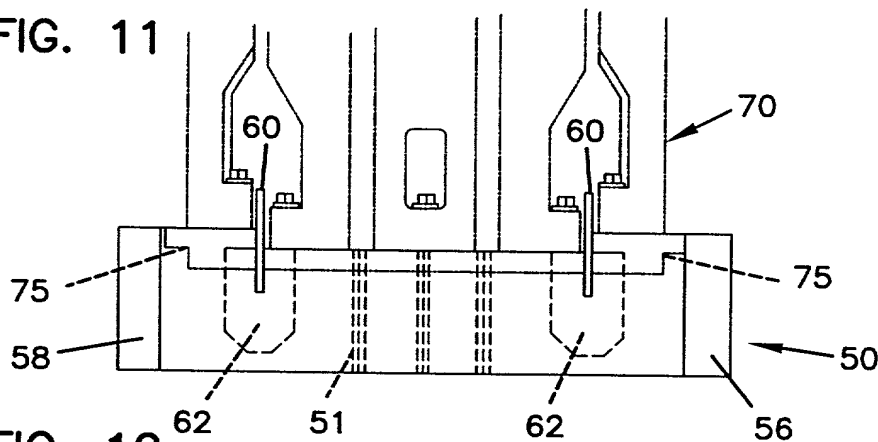


FIG. 12

